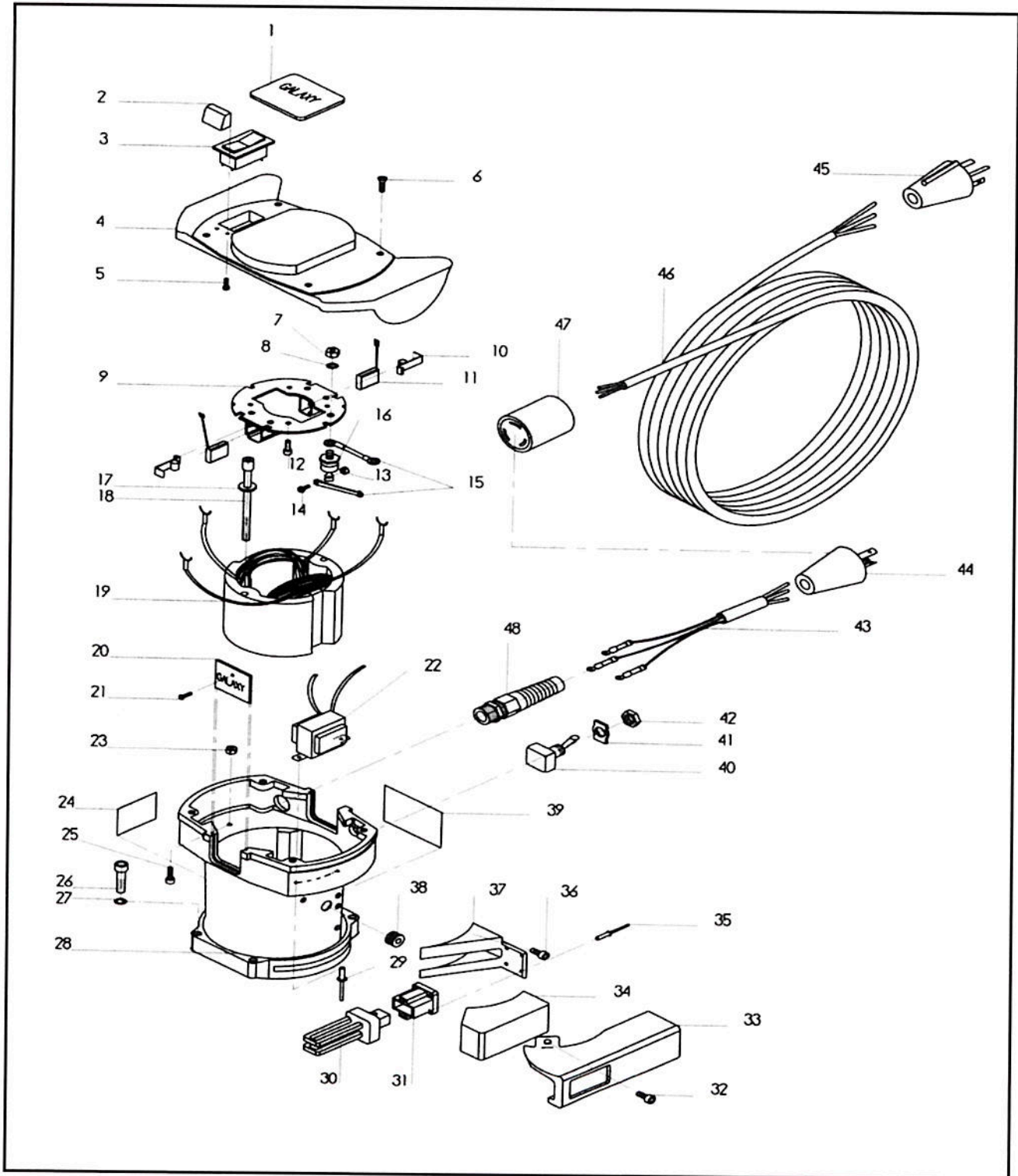
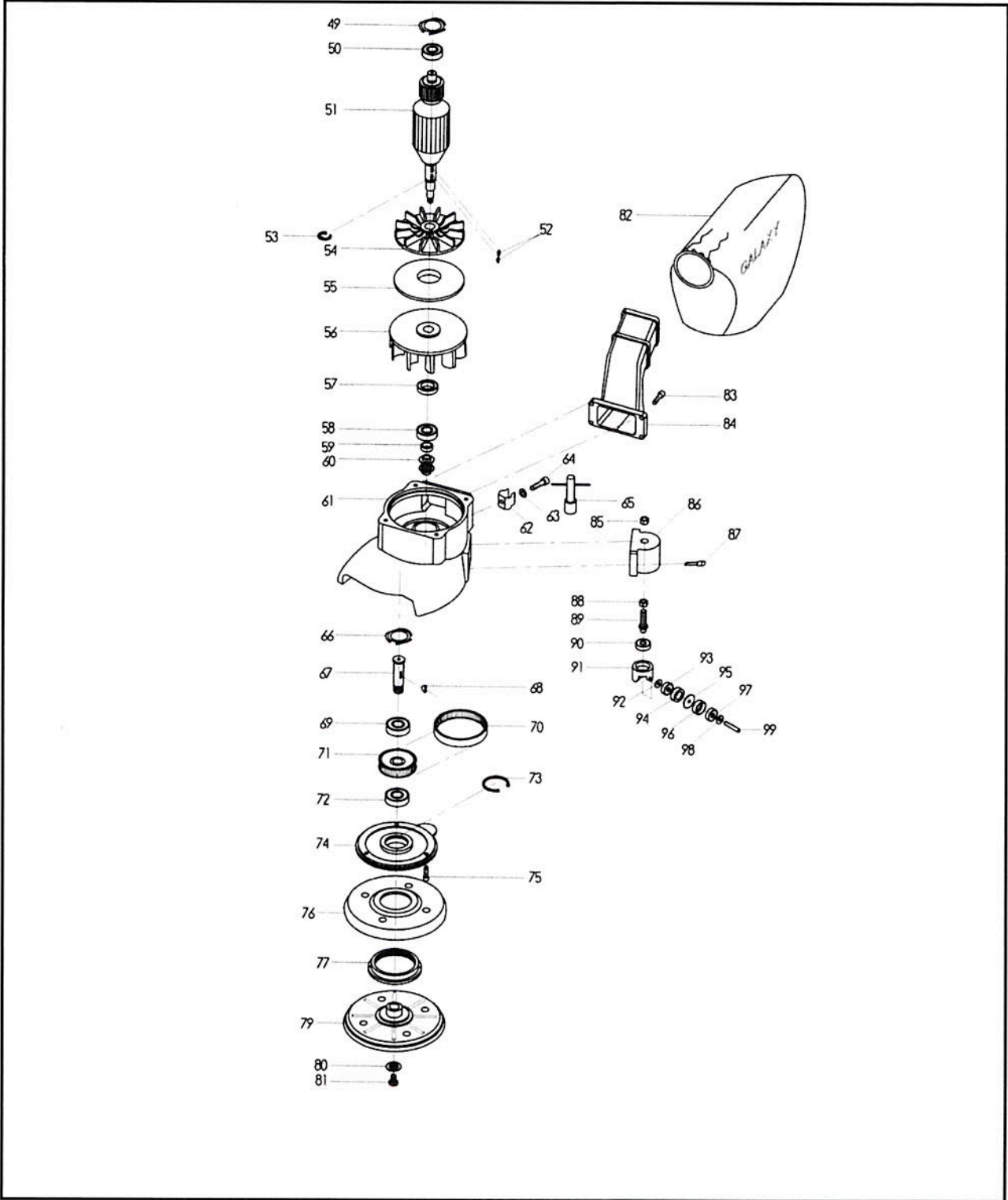


# Galaxy Elite 3 Edger Parts Drawing: Top of Machine



# Galaxy Elite 3 Edger Parts Drawing: Bottom of Machine



## Galaxy Elite 3 Edger Parts List

Reference #	Description	Part #
1	Plate – Name	621
2	Guard – Switch	613
3	Switch – On/Off	614
4	Housing – Top	601
5	Screw -	615
6	Screw – #10-24 x 1 S.S. Flat	616
7	Nut – ¼-20	617
8	Washer – Lock	618
9	Assembly – Brush Card	619
10	Spring – Brush	620
11	Brush – Motor	622
12	Screw - #8-32 x 1/2	126
13	Nut - #6-32 Lock	127
14	Screw - #6-32 x 3/8	258
15	Assembly – Lead Wire	623
16	Rectifier – Half Wave	624
17	Washer - #10 Flat	117
18	Screw - #10-24 x 3 Soc. Cap	625
19	Field Assembly – 115v	626
	Field Assembly – 230v	726
20	Cover – Vent	627
21	Screw - #6-32 Flat	628
22	Ballast – 115v	629
	Ballast – 230v	729
	Ballast – 230v 50hz	730
23	Nut – #10-32 Lock	205
24	Label – Specifications 115v	630
	Label – Specifications 230v	731
25	Screw - #10-24 x 3/8	170
26	Screw – ¼-20 x 1 ½ S.S.	632
27	Washer – Lock S.S.	633
28	Housing – Field Assembly	602
29	Rivet – 5/32 x 5/8	634
30	Bulb – Compact Fluorescent 9W	635
31	Socket – Bulb	636
32	Screw - #10-24 x ½ Soc. Cap	86
33	Guard – Light	611
34	Lens – Light	638
35	Rivet – 1/8 x ¾	639
36	Screw - #10-24 x ½ Soc. Cap	86
37	Bracket – Light Support	612
38	Insulator – Rubber	642
39	Label – Warning	643
40	Switch – High/Low	644

41	Plate – Hi/Lo	645
42	Nut – Retaining	646
43	Cord – Pigtail Assembly 115v Cord – Pigtail Assembly 230v	647 747
44	Plug – 115v Male Twist Lock Plug – 230v Male Twist Lock	648 748
45	Plug – 115v Straight Blade Plug – 230v Straight Blade	649 749
46	Cord Assembly – 115v 50ft Cord Assembly – 230v 50ft	650 750
47	Plug – 115v Female Twist Lock Plug – 230v Female Twist Lock	652 752
48	Strain Relief - 115v Strain Relief – 230v	653 753
49	Washer – Spring	654
50	Bearing – 6202 2RS C3	52
51	Armature Assembly - 115v Armature Assembly – 230v	655 755
52	Key – 1/8 x 5/8 Woodruff	656
53	Ring – Retaining	657
54	Fan – Cooling	609
55	Baffle – Vacuum Fan	658
56	Fan – Vacuum	610
57	Seal – Dust	659
58	Bearing – 6202 2RS C3 Pinion Pulley – Complete	52 671
59	Spacer – Bearing	670
60	Pulley – Pinion	672
61	Housing – Belt	603
62	Clip – Wrench	673
63	Washer – Lock	674
64	Screw - #10-24 x ½	675
65	Wrench	676
66	Washer – Spring	677
67	Shaft – Drive Pulley	678
68	Key – 1/8 x 5/8 Woodruff	656
69	Bearing – 6203 2RS C3	355
70	Belt – Drive	679
71	Pulley – Drive	680
72	Bearing – 6203 2RS C3	355
73	Ring – Retaining	362
74	Cover – Belt Housing	605
75	Screw – ¼-20 x ¾ Flat Soc. Cap	268
76	Guard – Disc	606
77	Nut – Locking	682
78	Washer – Fiber	683
79	Pad – Sanding	684

80	Washer – Paper Retaining	685
81	Bolt – Paper Retaining	686
82	Bag – Dust	687
83	Screw - #10-24 x ½ Soc. Cap	86
84	Pipe – Dust	604
85	Nut – ½-13 Cap Nut	688
86	Housing – Caster Assembly	607
87	Screw - #10-24 x ¾	89
88	Nut – ½-13 Jam	689
	Caster Assembly – Complete	691
89	Stud – Caster Swivel	690
90	Bearing – Swivel 629 2RSL	692
91	Yoke – Caster	608
92	Spacer – Wheel	693
93	Bearing – Wheel 608-8mm 2RSL	694
94	Wheel	695
95	Spacer – Wheel	693
96	Wheel	695
97	Bearing – Wheel 608-8mm 2RSL	694
98	Spacer – Wheel	693
99	Pin - Wheel	696
	Disc Removal Bar (see page 9)	697
	Locking Nut Remover (see page 9)	698

**For parts or further assistance contact the manufacturer:**



**Galaxy Floor Sanding Machines**  
**84 Northline Road**  
**416) 285-6600**  
**1(800) 263-5667**  
**Fax: (416) 285-0506**  
[www.galaxymachines.com](http://www.galaxymachines.com)  
[info@galaxymachines.com](mailto:info@galaxymachines.com)

## Galaxy's Limited Warranty

Galaxy Floor Sanding Machines is the manufacturer and is hereafter referred to as "Galaxy." The Galaxy Elite 3 Edger, hereafter referred to as "the unit," is warranted to be free from defects in materials and workmanship for a period of one year from the date of purchase, when prepared, operated and maintained in accordance with the instructions in Galaxy's Elite 3 Edger Operator & Maintenance Instructions booklet and the following Conditions of Warranty are met.

### Conditions of Warranty

- 1. Registration:** A completed Warranty Registration Card and a copy of the original sales receipt must have been placed in the mail addressed to Galaxy within fourteen (14) days of the date of original purchase.
- 2. Original Registered Owner:** This warranty only applies to the original registered owner. It is not transferable upon resale.
- 3. Normal Wear:** The warranty does not cover normal wear parts such as the drive belt and motor brushes. It does not cover reasonable wear and tear to other parts of the unit.
- 4. Qualifications:** Regardless of any statement Galaxy cannot determine a unit's qualification for warranty repair without physical inspection. The unit must not have been altered, modified or repaired by anyone other than those authorized by Galaxy. The serial number on the unit must not have been altered or removed. The unit must not have been subject to accident, misuse and abuse. It shall not have been let out or used as a rental unit. Galaxy's judgment in respect to the unit's qualification for warranty repair is final.
- 5. Proper Delivery of a Unit:** The owner must prepay the shipping charges to and from the repair location(s). If accessories are sent with the unit they must be individually listed on the packing slips or shipping documentation. Galaxy and/or its distributors shall not have any liability if there is a failure to comply with these instructions.
- 6. Limitations:** Galaxy's liability under this warranty is limited to the repair of the unit and/or replacement of its parts and is given to the original owner in lieu of all other remedies, including incidental and consequential damages. There are no express warranties other than those specified herein. There are no warranties beyond the description of the face hereof. No warranties, including but not limited to merchantability, shall be implied.



Galaxy Floor Sanding Machines  
84 Northline Road  
Toronto, Ontario  
Canada, M4B 3E5  
(416) 285-6600  
1(800) 263-5667  
Fax: (416) 285-0506  
[www.galaxymachines.com](http://www.galaxymachines.com)  
[info@galaxymachines.com](mailto:info@galaxymachines.com)